



§ **SPECIFICATION APPROVAL SHEET** §

Fdt Tech Module No **FG035QW00~~x~~-00R**

Description: **3.5" Digital TFT-LCD Module**

SPEC No.: **SAS-1003004**

Version: **0.0**

Issue Date: **June 19, 2010**

※ This approval sheet contains 17 pages including the cover and appendix.

Customer:

APPROVED BY:

Date: / / 10

APPROVED BY:

CHECKED BY:

DESIGNED BY:



FLAT DISPLAY TECHNOLOGY

3.5" GRAPHIC TFT-LCD Module

- FG035QW00A-00R
- FG035QW00B-00R

1. General Description

FDT Smart Graphic TFT Module is an unique TFT LCD module which builds graphic and character inside. It provides user to present customized & full color graphics or characters without any SOC or IPC system. In addition, user can update or upload his graphics or characters via USB port by himself. FDT Smart Graphic TFT Module not only enhances your product values also saves your cost.



1.1 Features

- Single Operation Voltage +12V
- Full Colors Presentation
- UART Interface For Communication
- Easy To Set Up Without SOC Or IPC Controller
- Built In Real Time Clock
- LED Backlight Brightness Control
- Touch Screen Function (Option)
- USB Port For Update Graphic Library

1.2 Application

- Industrial Controller
- Medical Equipment
- Security Equipment
- Simple Function Equipment

FLAT DISPLAY TECHNOLOGY

■ FG035QW00x-00R V0.0

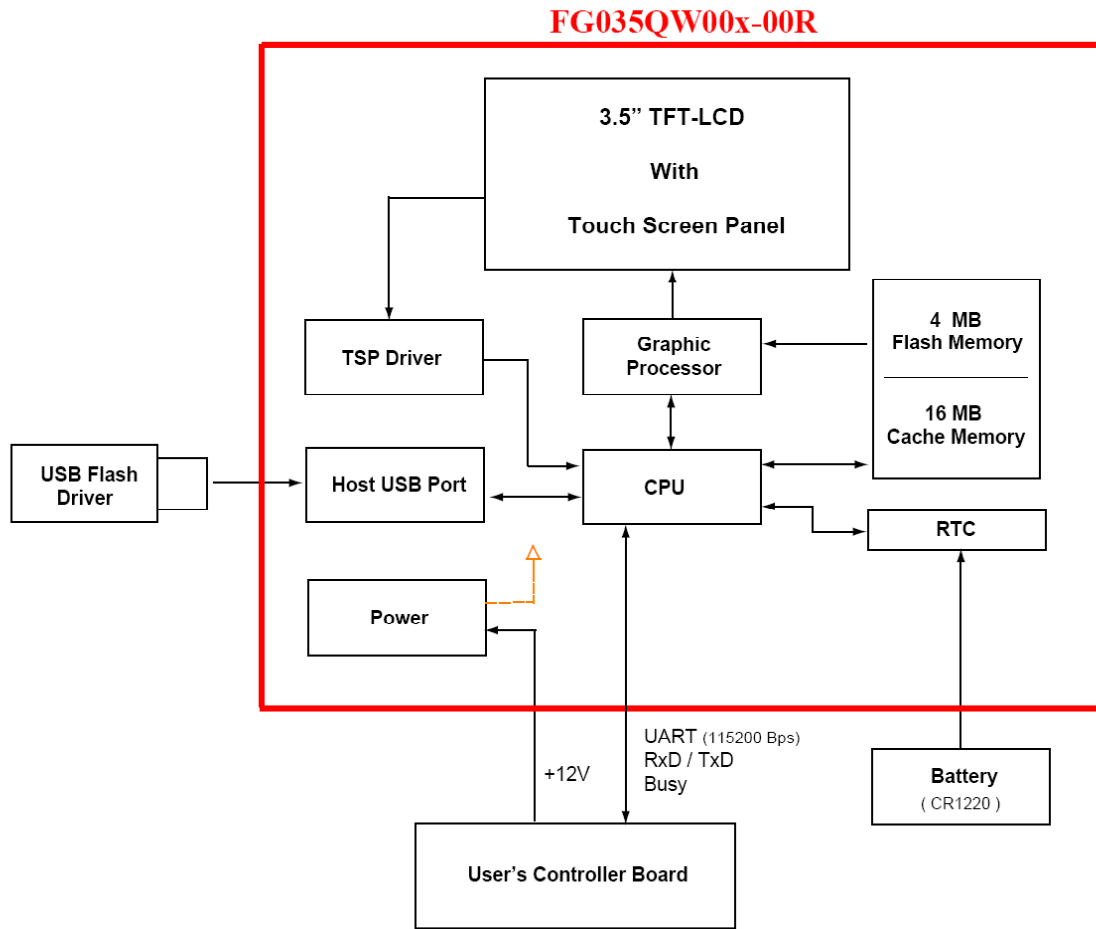


2. Contents

Contents	Page
1. General Description	1
1.1 Features	1
1.2 Applications	1
2. Contents	2
3. Block Diagram	3
3.1 Block Diagram	3
4. Order Information	4-5
4.1 Unit	4
4.2 USB& Battery Board (Option)	4
4.3 TX#CR1220 (3V) (Option)	5
4.4 Mini USB to USB Type A	5
4.5 Power Cable (Option)	5
5. Specifications	6
6. Absolute Maximum Ratings	6
6.1 Absolute Maximum Ratings	6
7. Recommended operating conditions	7
7.1 Electrical Characteristics	7
8. TFT-LCD Information	7
8.1 TFT-LCD Mechanical Specifications	7
8.2 TFT-LCD Optical Characteristics	7
9. Pin Description	8
9.1 J207B Assignment of Signal Input(Pitch 2.0mm 7Pin,Side Entry Type)	8
9.2 USB201 : Pin Assignment of Signal Input (Pitch 1.25mm 6Pin, Side Entry Type)	8
9.3 UART Timing Chart (Client side)	8
10. 4W Resistance Touch Panel Characteristics	9
10.1 Touch Screen Integration Design Guide	9
10.2 Mechanical Performance	9
10.3 Durability Performance	9
11.Dimension Information	10-13
11.1Unit(FG035QW00A-00R)	10
11.2Unit(FG035QW00A-00R-2)	11
11.3Unit(FG035QW00B-00R)	12
11.4Unit(FG035QW00B-00R-2)	13
12. Accessory	14-16
12.1 LOUSB00002-FDR (Option)	14
12.2 A09WC2-061506R (Option)	15
12.3 LACABLE012-FDR (Option)	16

3. Block Diagram

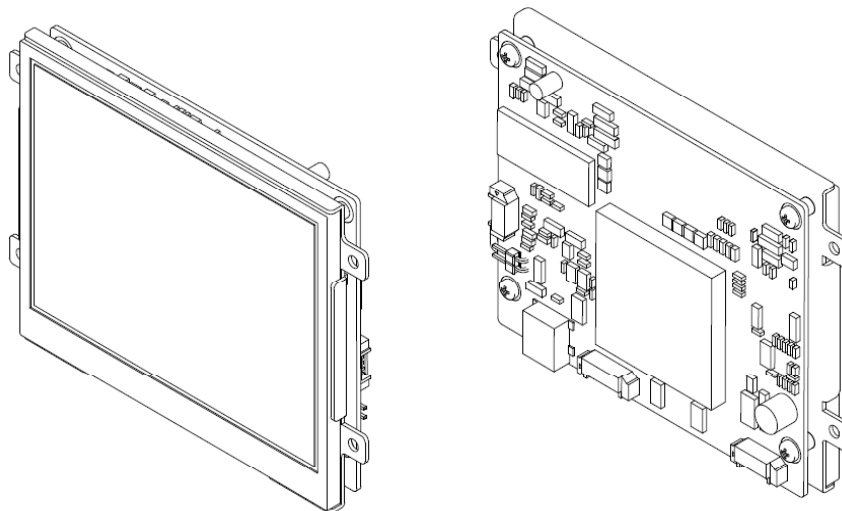
3.1 Block Diagram



4. Order Information

4.1 Unit

Unit

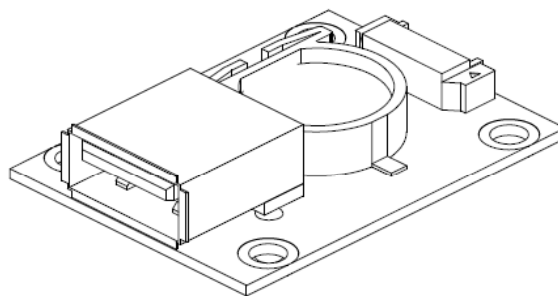


Parameter	FG035QW00A-00R	FG035QW00B-00R	Note
Real Time Clock	⊙	⊙	External Battery
Touch Screen Function	-	4W Resistance	

Note: 1.The tape in back of the bracket is to avoid the panel falling from the unit in delivery.
2.It's Just A temporary adhesion.

4.2 USB& Battery Board (Option)

Unit



Order Part Number	Part Number	Remark
LOUSB00002-FDR	Cable: A09WC2-061506R	

FLAT DISPLAY TECHNOLOGY

■ FG035QW00x-00R V0.0



4.3 TX#CR1220 (3V) (Option)

Unit



Order Part Number	Remark
LABATT0001-FDR	

4.4 Mini USB to USB Type A (Option)

Unit



Order Part Number	Remark
LACONN0005-FDR	

4.5 Power Cable (Option)

Unit



Order Part Number	Remark
LACABLE012-FDR	

5. Specifications

Parameter	Specifications	Unit	Remark	
Communication Protocol	Duplex Transmission (UART)			
	UART Transmission Rate	115200	Bps	
	Data Bit	8	Bits	
	Parity Bit Check	NO		
	Stop Bit	1	Bit	
USB (Mini TYPE)	Host	USB 1.1		
Weight	---	g		
Flash ROM	4M	Bytes	Note1	
SDRAM	16M	Bytes		
Picture Format	JPEG Category		Note1	

Note: 1.How many pictures in flash memory depend on picture's compression ratio.

6. Absolute Maximum Ratings

6.1 Absolute Maximum Ratings

Parameter	Symbol	Min	Max	Unit	Remark
Input Voltage	V _{in}	+9	+15	V	
Digital Input Signal	TTL	+0.3	+3.6	V	
Operating Temperature Without TSP		-20	+70	°C	
Operating Temperature With TSP		-20	+70	°C	
Storage Temperature Without TSP		-20	+70	°C	
Storage Temperature With TSP		-20	+70	°C	

FLAT DISPLAY TECHNOLOGY

■ FG035QW00x-00R V0.0



7. Recommended Operating Conditions

7.1 Electrical Characteristics

Parameter	Symbol	Min	Typ	Max	Unit	Note
Input Voltage	Vin	+10	+12	+14	V	
Total Current	Lin	-	165	-	mA	@12V
Power Consumption		-	1.98	-	W	@12V
I/O	TTL	+0.1	-	+3.3	V	

8. TFT-LCD Information

8.1 TFT-LCD Mechanical Specifications

Parameter	Specifications	Unit
Screen Size	3.5 (Diagonal)	inch
Display Format	320 x (R.G.B) x 240	dot
Active Area	70.08 (H) x 52.56 (V)	mm
Surface Treatment	Haze 20%	

8.2 TFT-LCD Optical Characteristics

Parameter	Symbol	Condition	Min	Typ	Max	Unit	Remark
Viewing Angle	Horizontal	Left	50	60	---	deg	
		Right	50	60	---		
	Vertical	Top	CR \geq 10	40	50	---	deg
		Bottom		45	55	---	deg
Contrast Ratio	CR	At Optimized Viewing Angle	300	400	---	---	
Brightness Without TSP	L	$\theta = 0^\circ / \phi = 0$	180	250	---	cd/m ²	
Brightness With TSP	L	$\theta = 0^\circ / \phi = 0$	180	200	---	cd/m ²	
LED Life Time Without TSP	---	T _a =25°C	10000	---	---	Hour	
LED Life Time With TSP	---	T _a =25°C	10000	---	---	Hour	

FLAT DISPLAY TECHNOLOGY

■ FG035QW00x-00R V0.0 

9. Pin Description

9.1 J101 Pin Assignment of Signal Input (Pitch 1.25mm 5Pin, Side Entry Type)

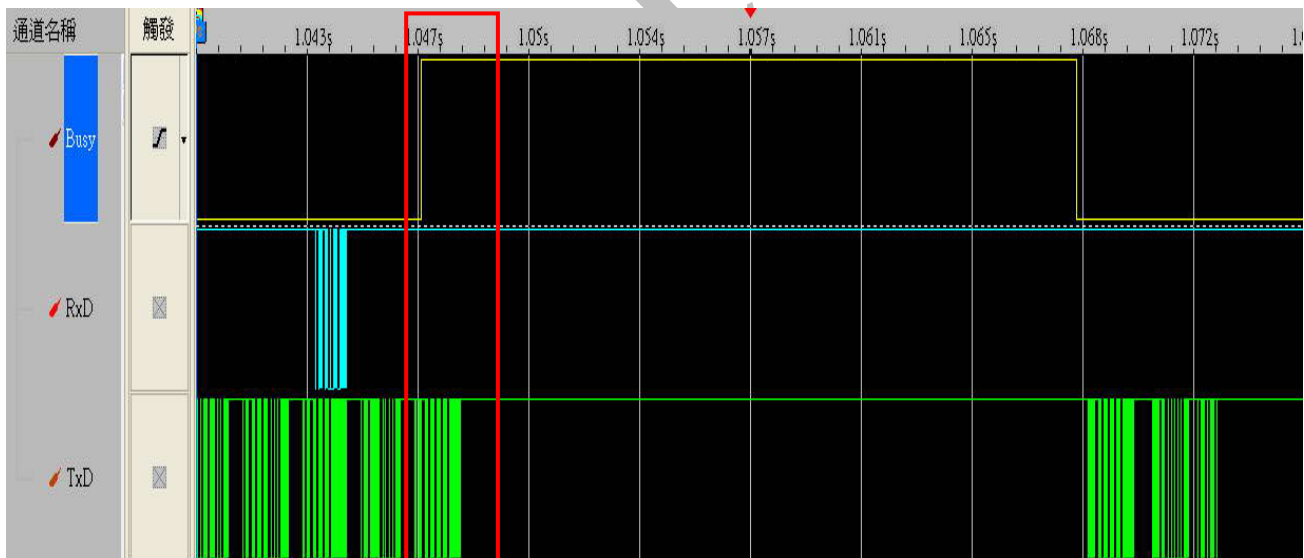
Pin No	Symbol	I/O	Description	Remark
1	VCC12V	-	+12V Input Voltage	DC
2	GND	-	Ground	
3	BUSY	O	Busy status (Internal pull high)	High: Busy Low: Normal (Note1)
4	RXD	I	Receive Data	TTL Level RS-232 (3.3V)
5	TXD	O	Transmit Data	TTL Level RS-232 (3.3V)

Note1: Your application circuit board must be connects with busy pin of SGM.

9.2 USB201 : Pin Assignment of Signal Input (Pitch 1.25mm 6Pin, Side Entry Type)

Pin No	Symbol	I/O	Description	Remark
1	VBUS	-	USB VCC	
2	D-	-	DATA (-)	
3	D+	-	DATA (+)	
4	GND	-	Ground	
5	VBAT	-	Power input	@3V
6	GND	-	Ground	

9.3 UART Timing Chart (Client side)



※ If busy signal of SGM appears on the duration of client processor transmission command.
Please don't worry this situation and goes on last command procedure.

FLAT DISPLAY TECHNOLOGY

FG035QW00x-00R V0.0

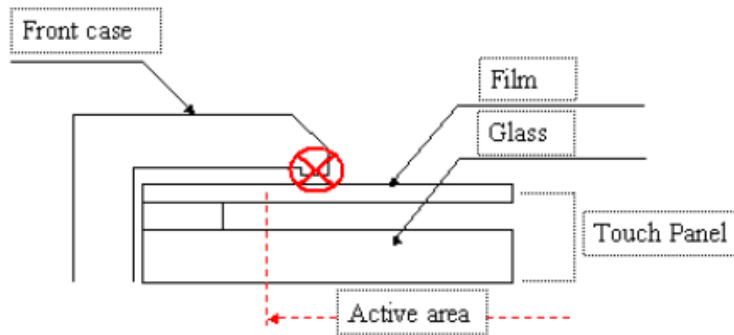


10. 4W Resistance Touch Panel Characteristics

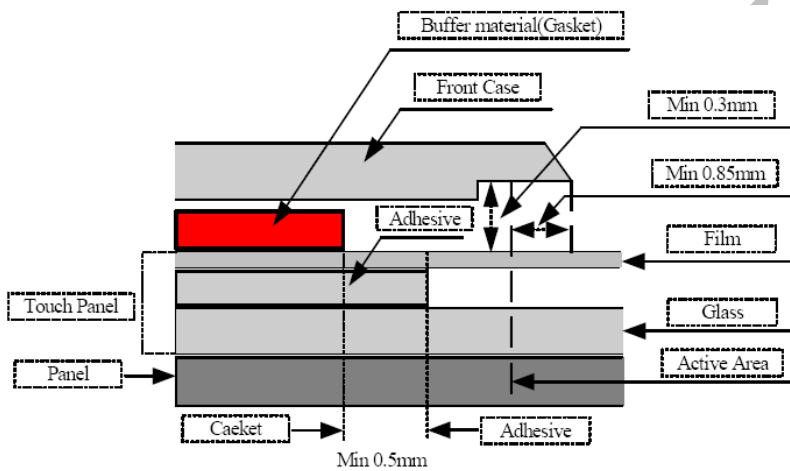
10.1 Touch Screen Integration Design Guide

Avoid the design that Front-case overlap and press on the active area of the touch-panel.

Give enough gap (over 0.5mm at compressed) between the front case and touch-panel to protect wrong operating.



Use a buffer material (Gasket) between the touch-panel and front-case to protect damage and wrong operating. Avoid the design that buffer material overlap and press on the inside of touch-panel viewing area.



Note: We strongly suggest to follow above design guide to avoid the linear defect happened on the touch panel.

10.2 Mechanical Performance

Parameter	Specifications
Input Method	Finger or stylus pen
Operating Force	Max: 100gf
Surface Hardness	3H or more

10.3 Durability Performance

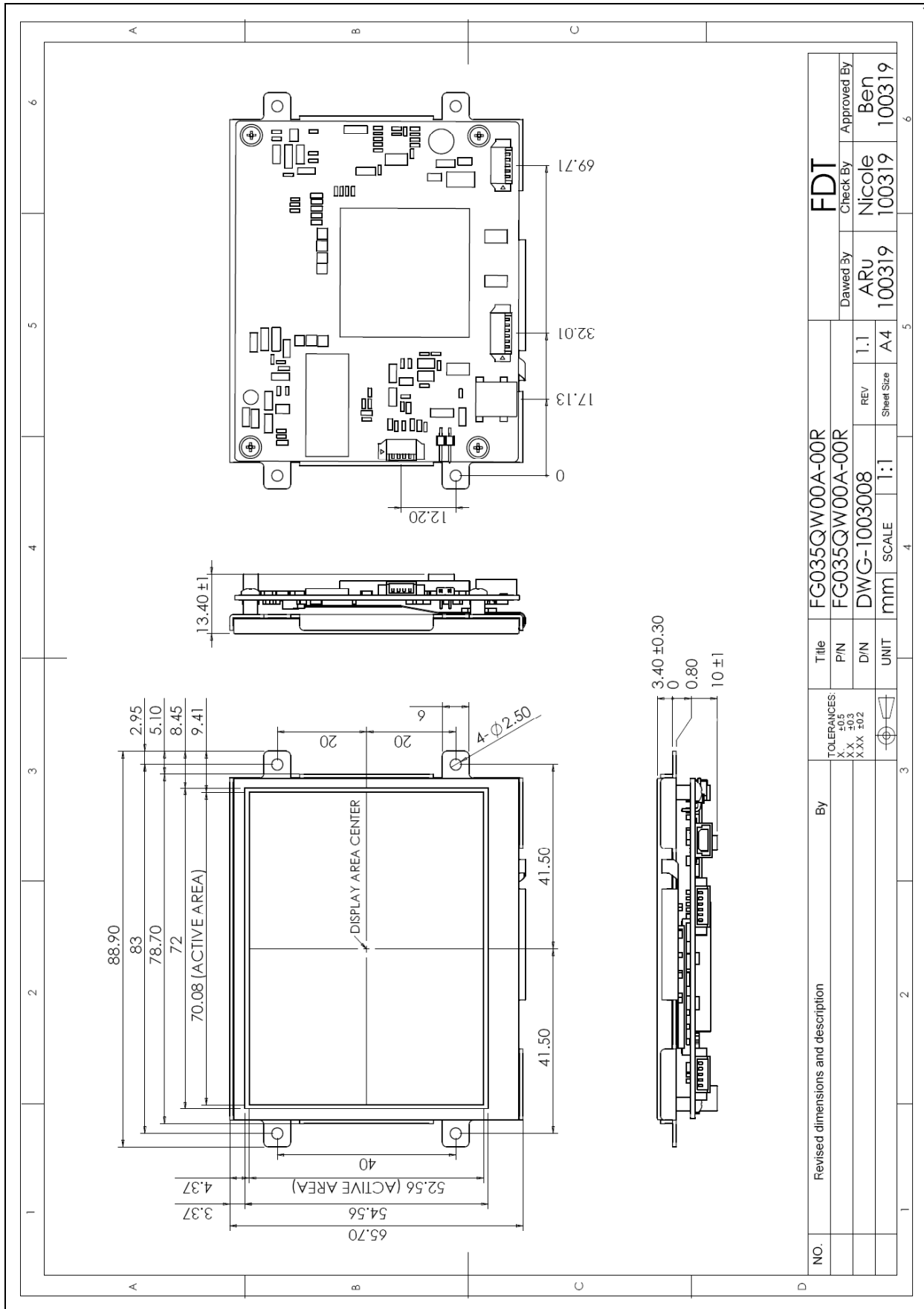
Parameter	Specifications
Pen Sliding Durability	≥ 1000000 times, with R0.8 mm polyacetal stylus, 250g, 240 times/min
Sliding Durability	≥ 100000 times, with R0.8 mm silicon rubber, 150g

FLAT DISPLAY TECHNOLOGY

■ FG035QW00x-00R V0.0 

11. Dimension Information

11.1 Unit (FG035QW00A-00R)

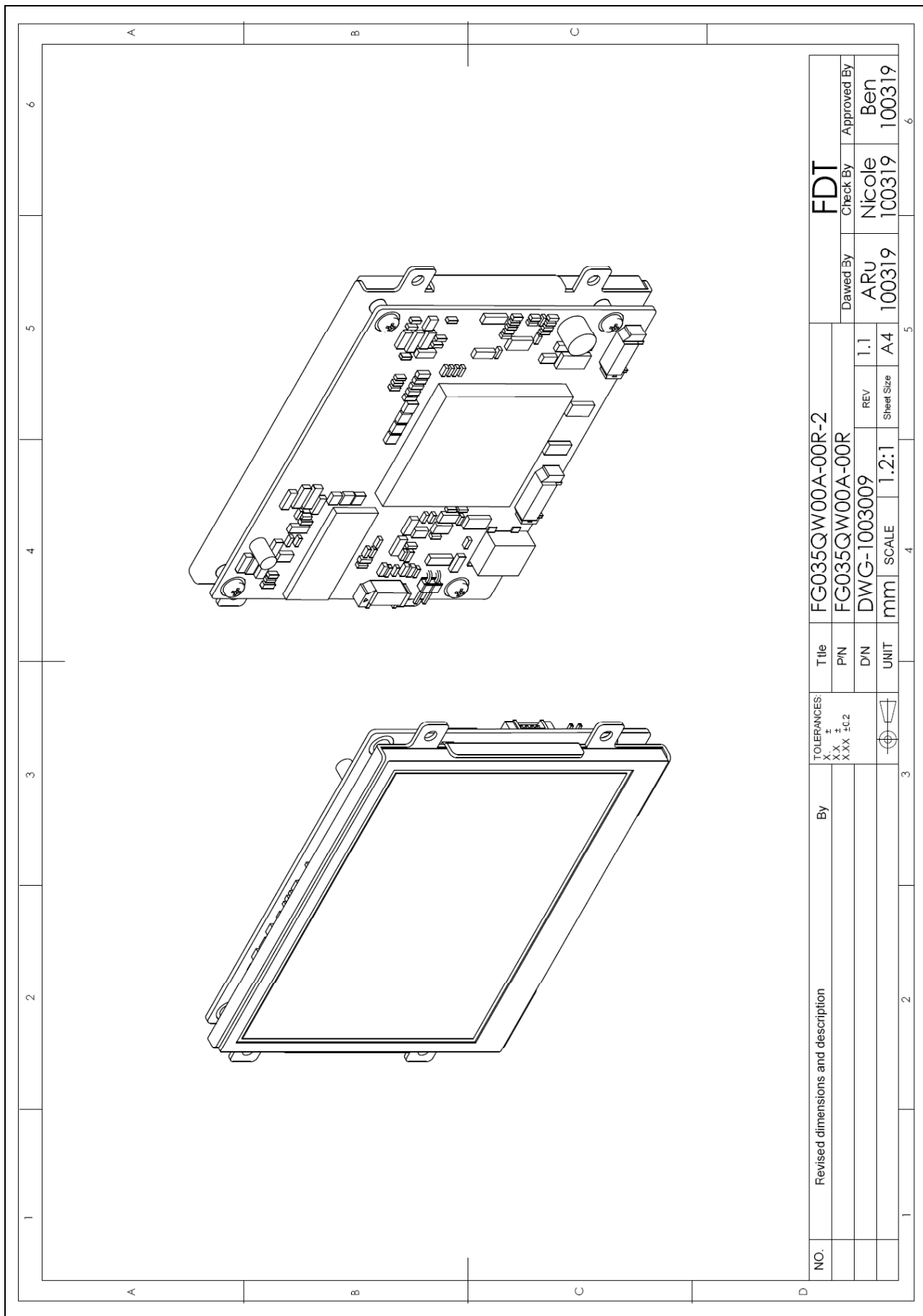


FLAT DISPLAY TECHNOLOGY

■ FG035QW00x-00R V0.0



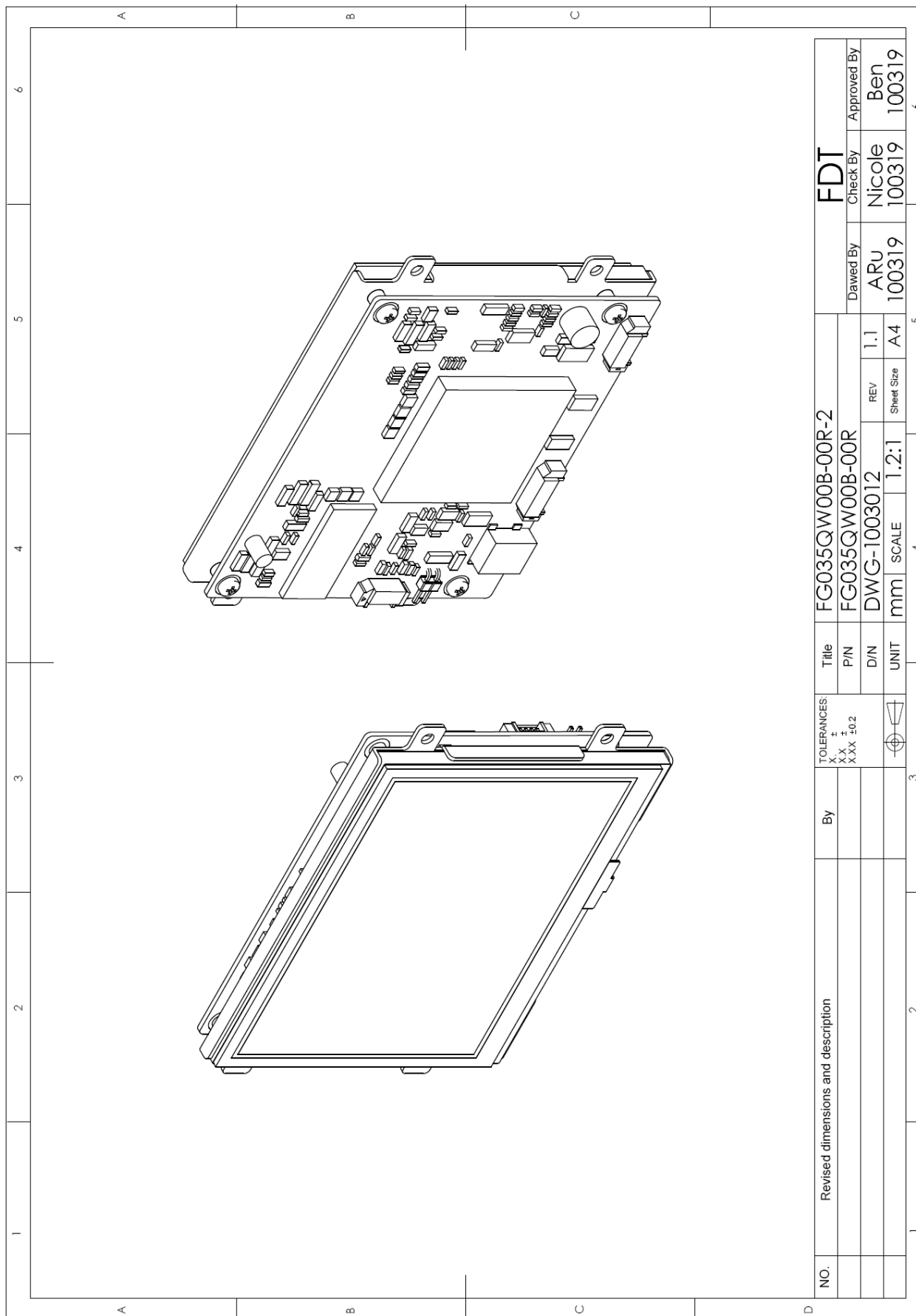
11.2 Unit (FG035QW00A-00R-2)



FLAT DISPLAY TECHNOLOGY

■ FG035QW00x-00R V0.0 

11.4 Unit (FG035QW00B-00R-2)

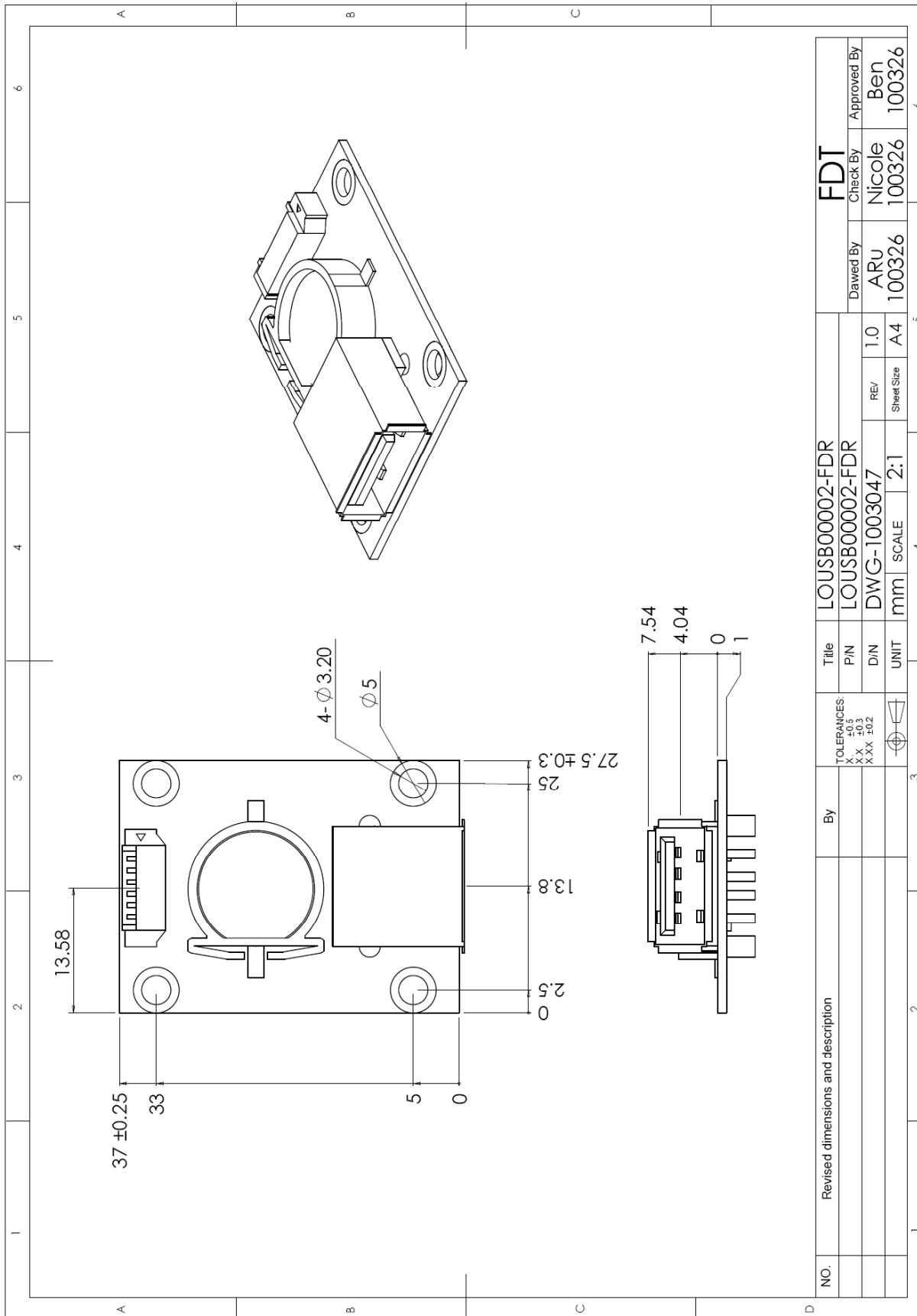


FLAT DISPLAY TECHNOLOGY

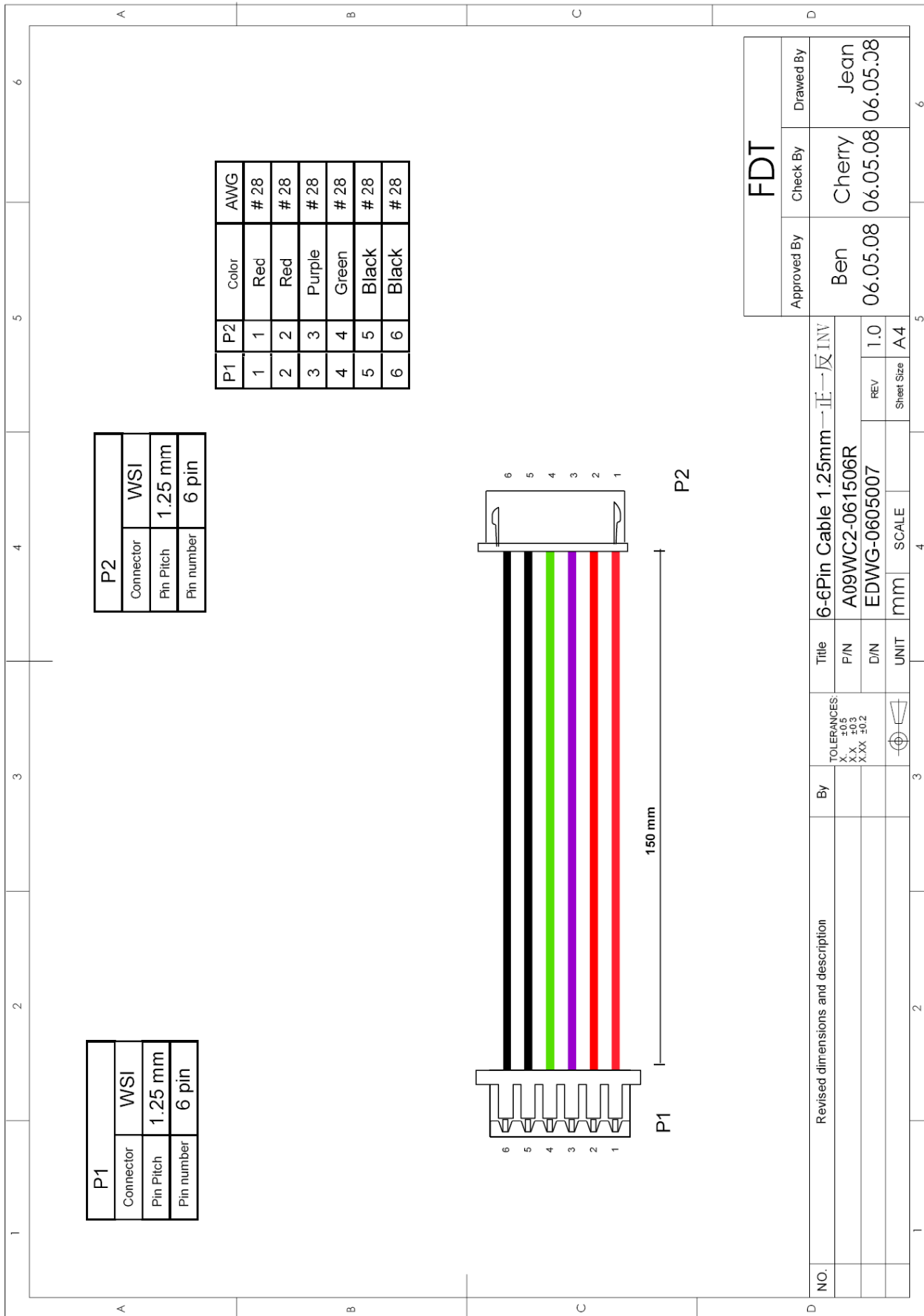
■ FG035QW00x-00R V0.0 

12. Accessory

12.1 LOUSB00002-FDR (Option)



12.2 A09WC2-061506R (Option)



12.3 LACABLE012-FDR (Option)

